

ADDITIONAL
INFORMATION

www.upmprofi.com

www.upmprofi.de

www.upmprofi.dk

www.upmprofi.fi

www.upmprofi.fr

www.upmprofi.nl

www.upmprofi.se

UPM ProFi®

UPM ProFi Piazza, UPM ProFi Deck 150, UPM ProFi Terra 127

Part 1 Diagrams

Installation Instructions/Verlegeanweisung/

Instructions de montage/Installatie-instructies/Asennusohje/Installationsanvisningar

These installation instructions must be used together with UPM ProFi Installation Instructions Part 2: Text.
The following installation drawings apply for all UPM ProFi deck boards.

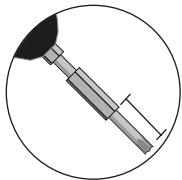
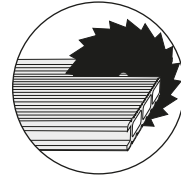
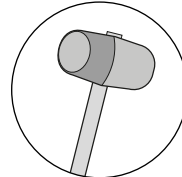
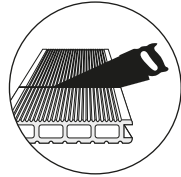
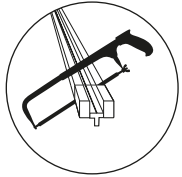
**Part
2**

See installation details
in Part 2: Text

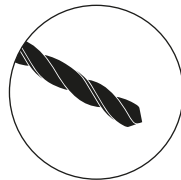
Tec

Technical
Data Sheet

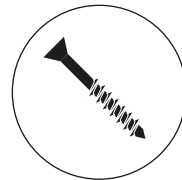
Tools



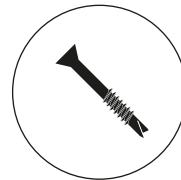
min. 25 mm



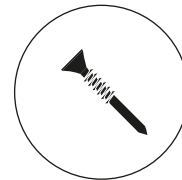
3 mm



4x40 mm



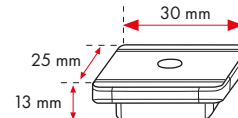
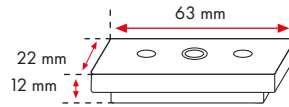
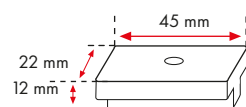
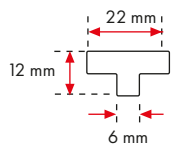
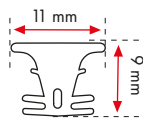
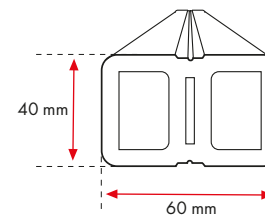
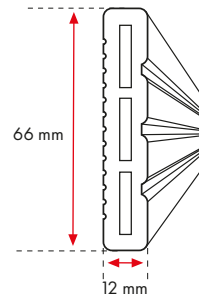
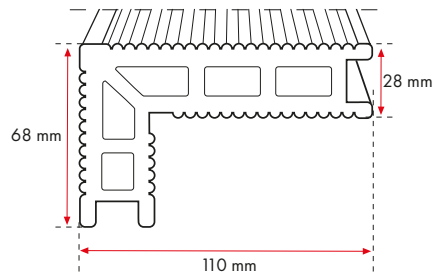
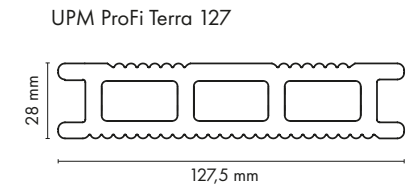
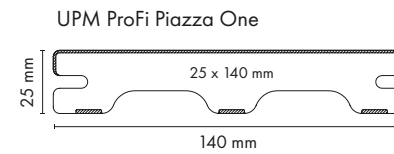
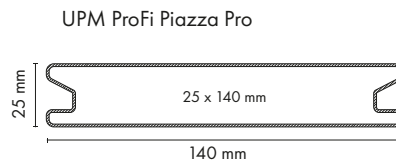
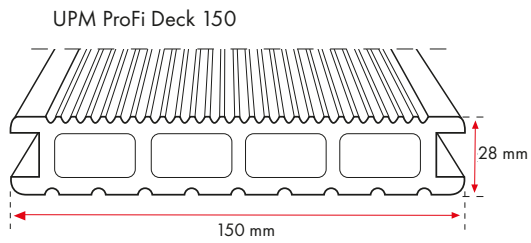
4 x 26 mm
(for Alu Support Rail)



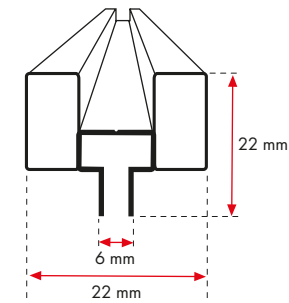
3.9 x 22 mm
(for direct fixing on
Alu Support Rail)

Profiles & Dimensions

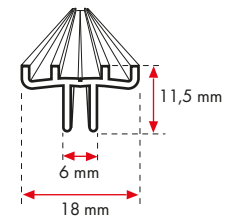
NB. Slight dimensional variations are normal in composite profiles.



Alu Rail for Deck 150



Alu Rail for Piazza One



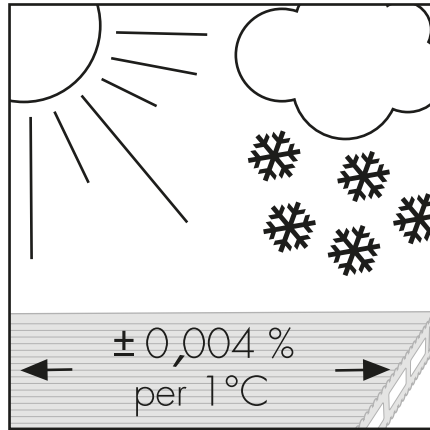
Thermal expansion & contraction

Part 2

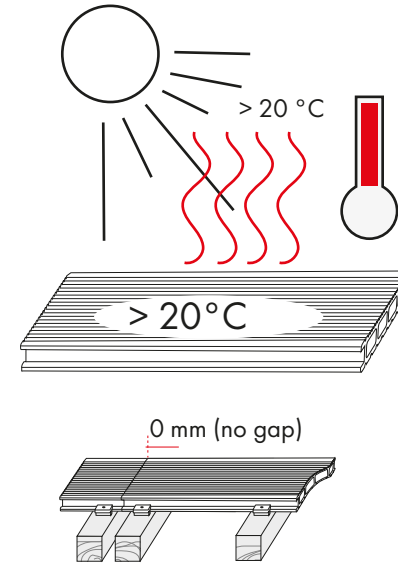
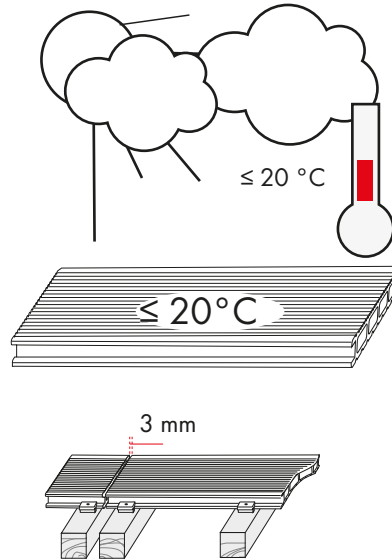
See details in Part 2:
Text 1 & 5

Tec

Technical
Data Sheet



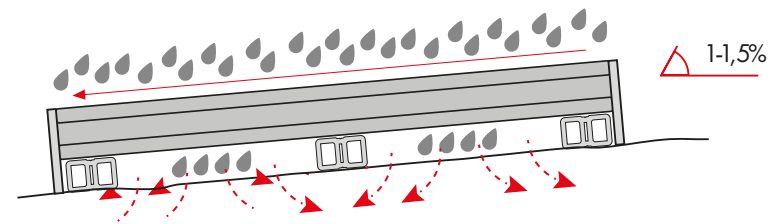
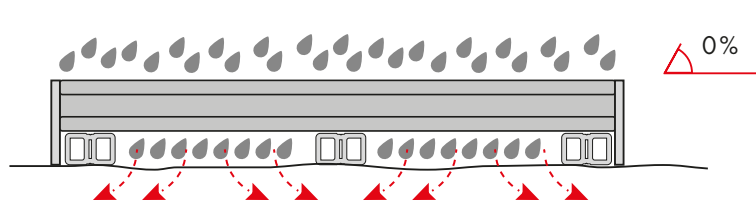
e.g. 40° C change in
temperature = 6 mm expansion/
contraction in 4 m board



1. Inclination, Drainage & Ventilation

Part 2

See details in Part 2:
Text 2

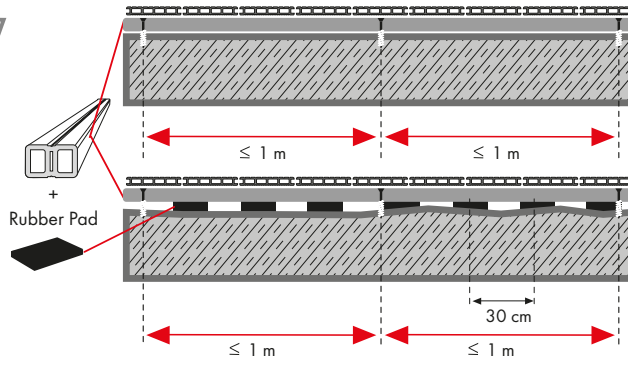
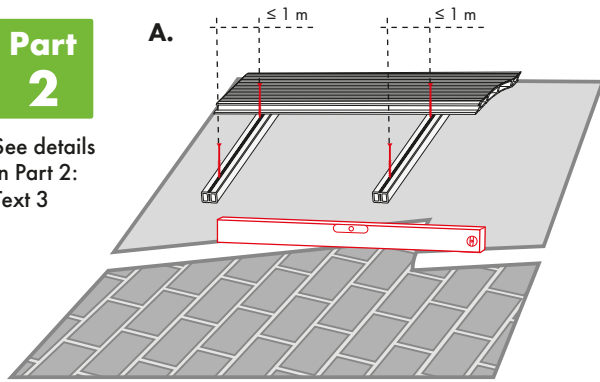


2. Substructure

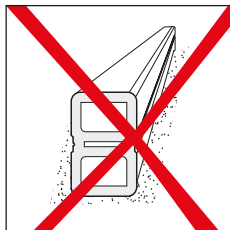
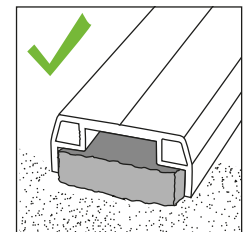
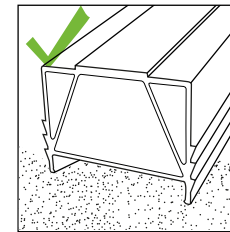
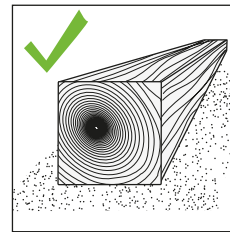
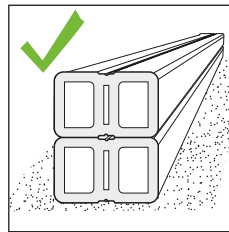
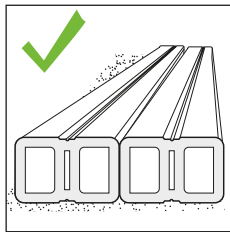
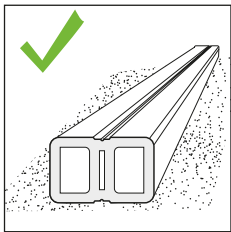
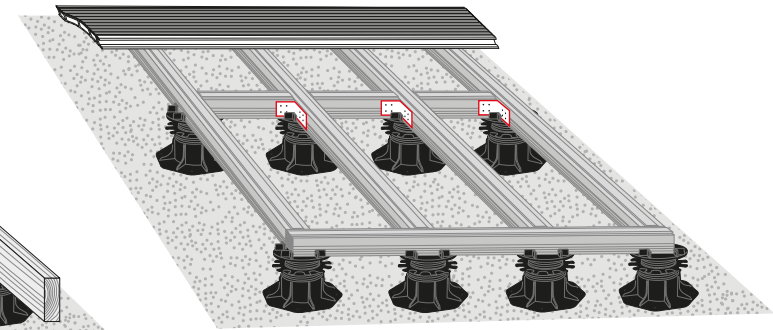
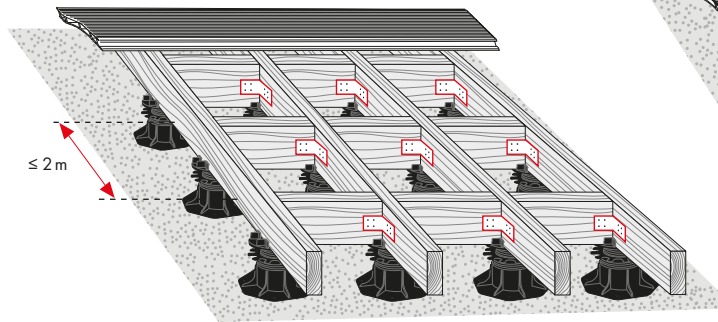
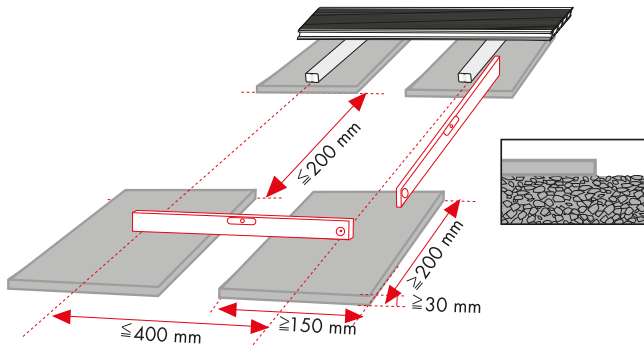
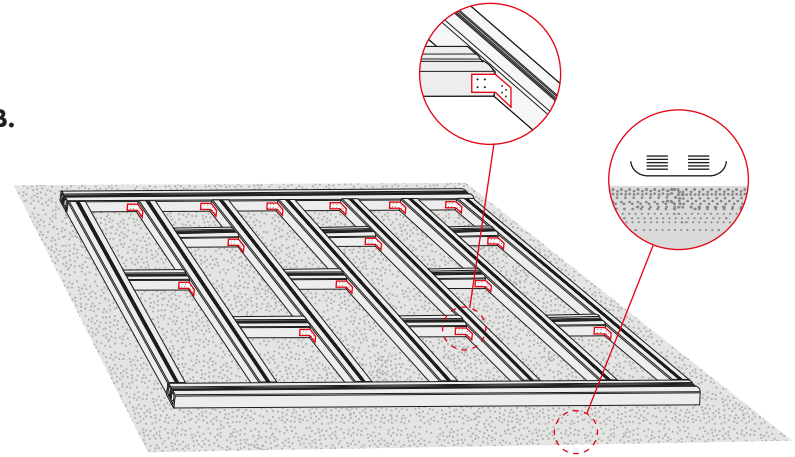
Part 2

See details in Part 2:
Text 3

A.



B.



*JOIST SPACING
(a)

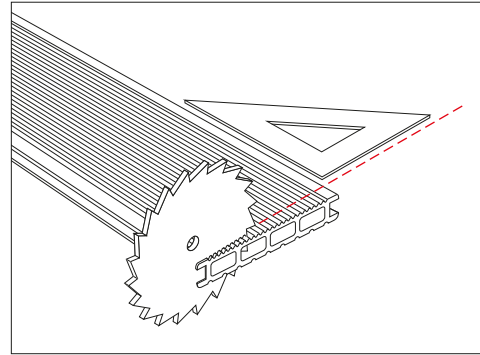
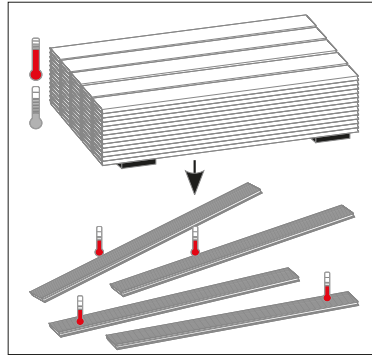
	ProFi Deck 150	Terra 127	Piazza Pro	Piazza One
Residential	40 cm	35 cm	40 cm	35 cm
Commercial	40 cm	-	30 cm	-



3. Preparing to install deck boards

Part 2

See details
in Part 2:
Text 4



4. Installing the deck boards

Part 2

See details in Part 2: Text 5

Part 2

Part 2: 5

A CLIPS

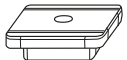
T-CLIP Small



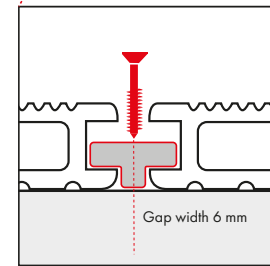
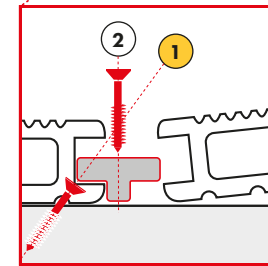
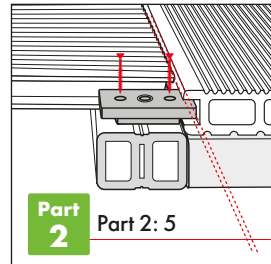
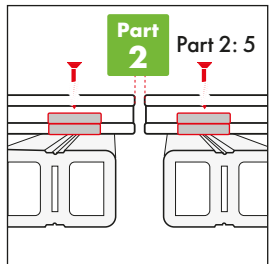
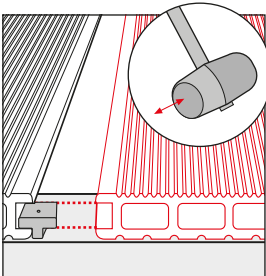
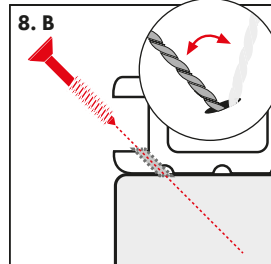
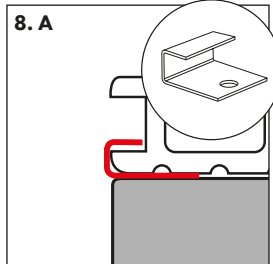
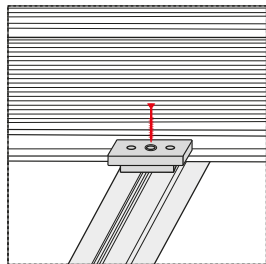
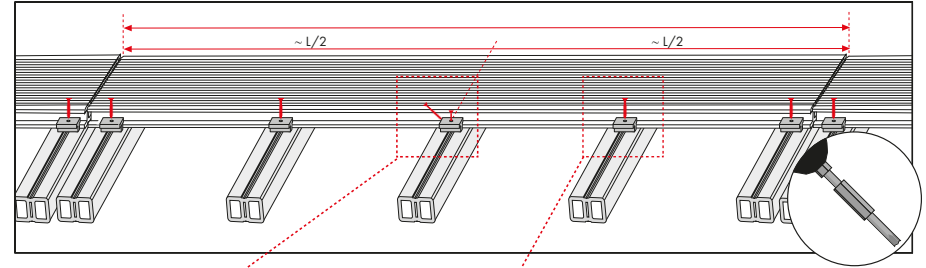
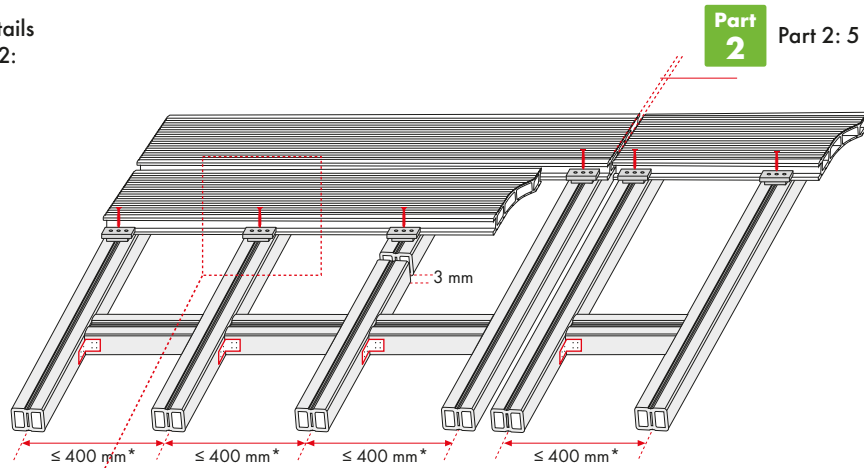
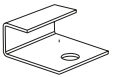
T-CLIP Large



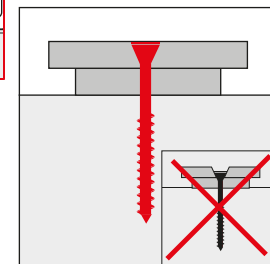
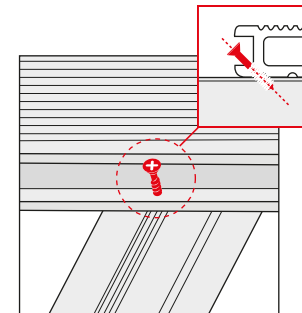
WING CLIP



START CLIP



! 1x in the middle of each board



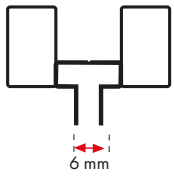
B ALU RAIL

Part 2 See details in Part 2: Text 5

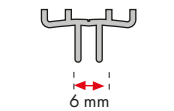
Hint:
 Alu Rail installation only for Deck 150 and Piazza One.
 For Piazza Pro and Terra 127: No installation with Alu Rail.

Part 2 Part 2: 5

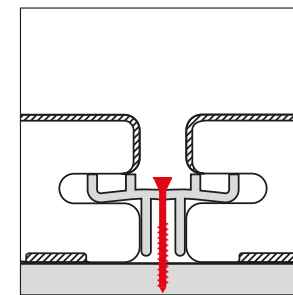
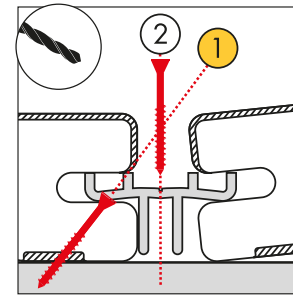
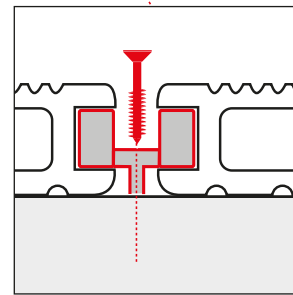
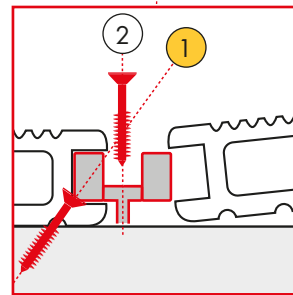
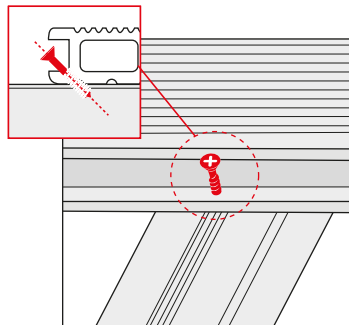
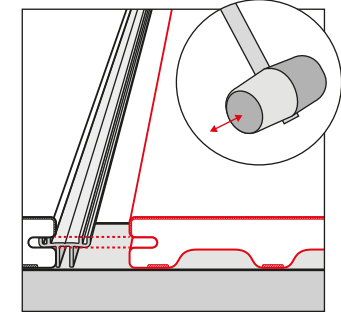
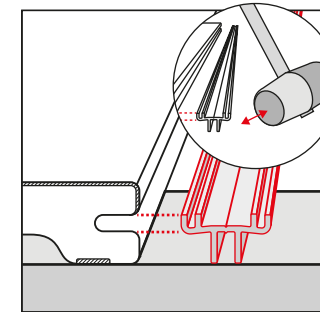
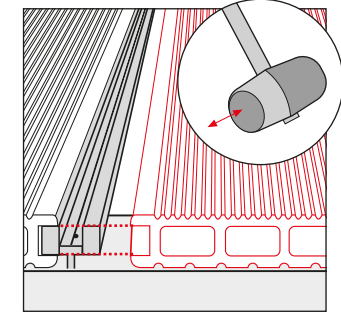
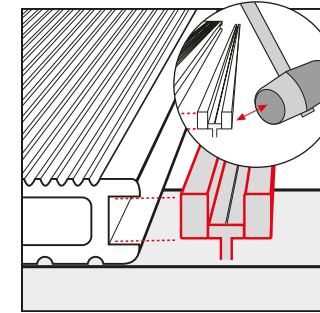
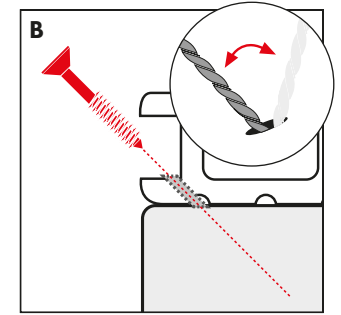
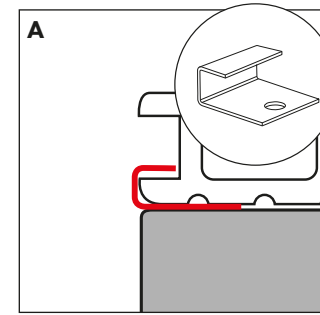
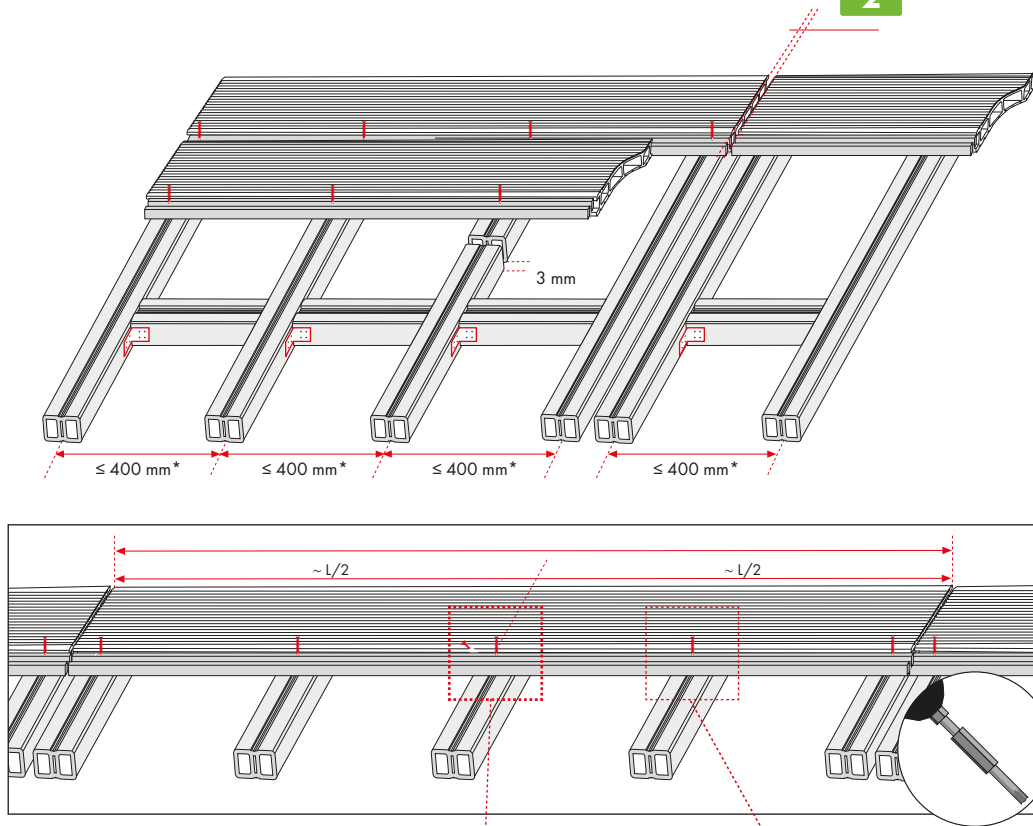
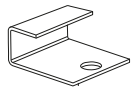
ALU RAIL FOR DECK 150



ALU RAIL FOR PIAZZA ONE



START CLIP



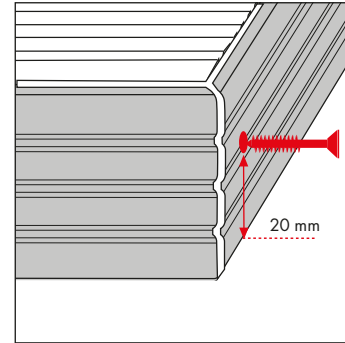
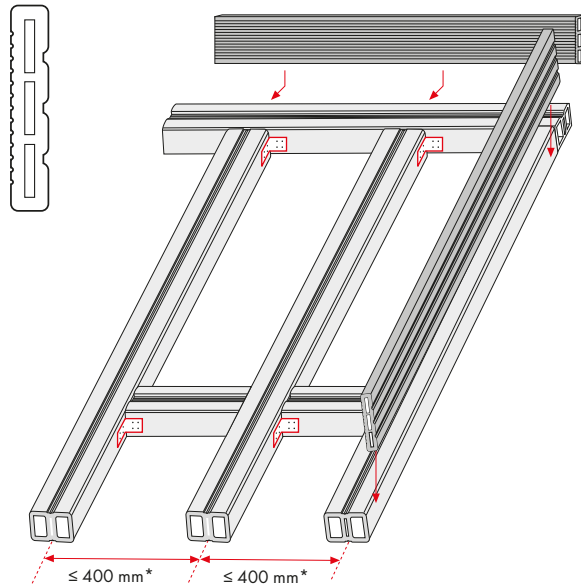
! 1x in the middle of each board



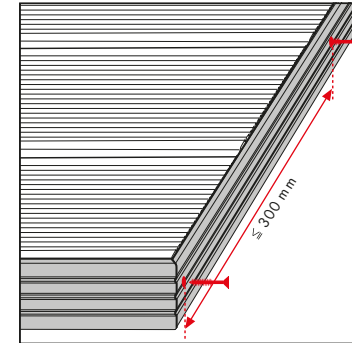
5. Finishing: cover strip, end caps & rubber strip

Part 2

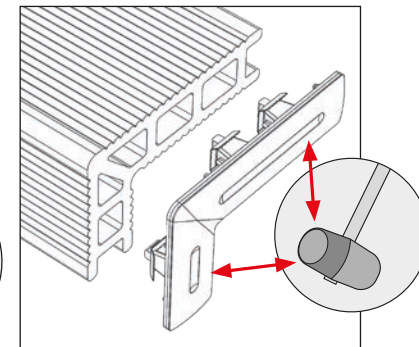
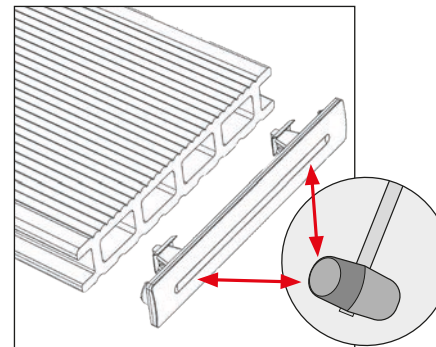
See details
in Part 2:
Text 6



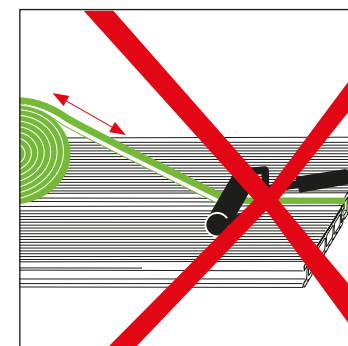
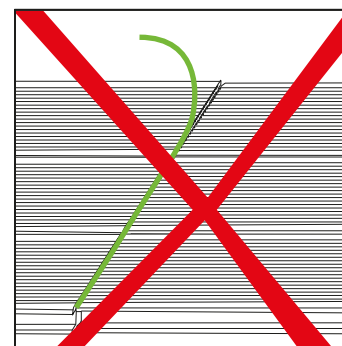
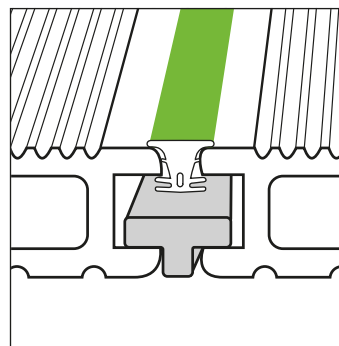
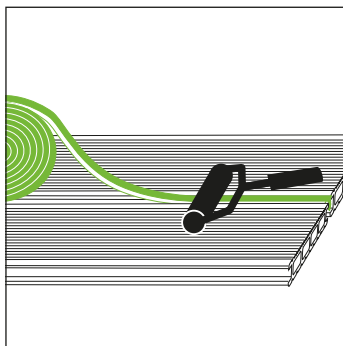
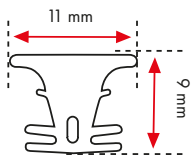
UPM PROFI DECK 150
END CAP



UPM PROFI DECK 150
RAIL STEP END CAP



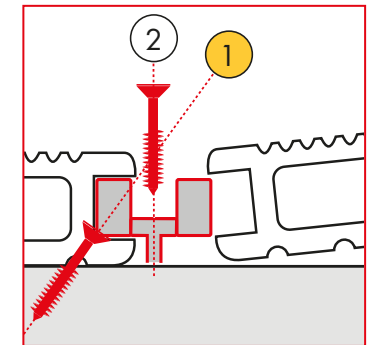
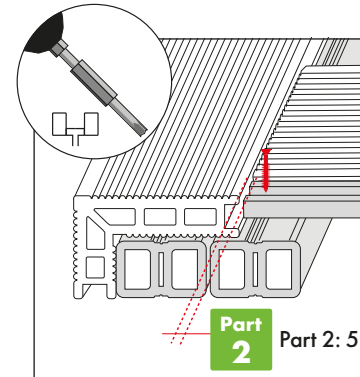
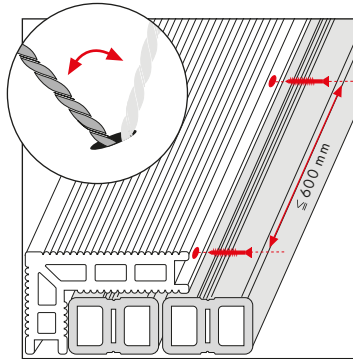
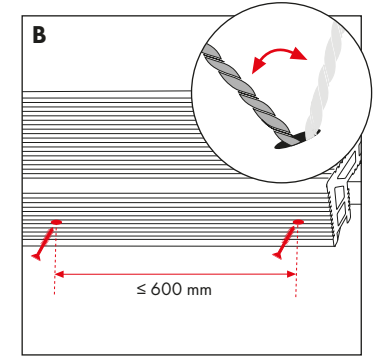
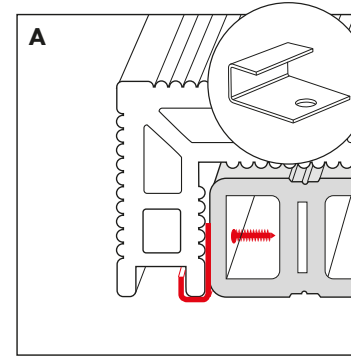
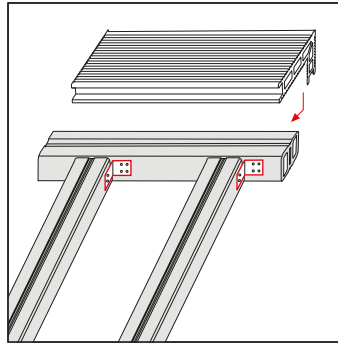
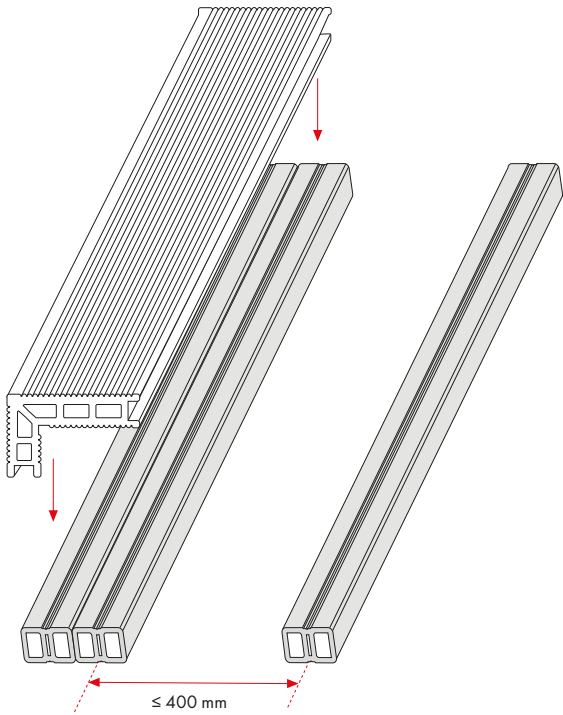
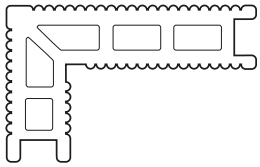
RUBBER STRIP



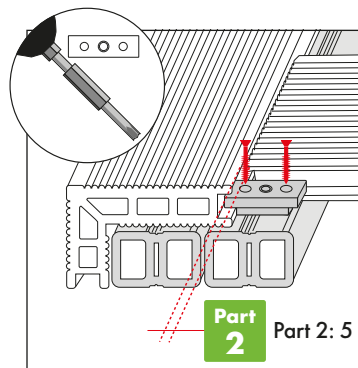
5. Finishing: UPM ProFi Rail Step (Deck 150 only)

Part 2

See details
in Part 2:
Text 6



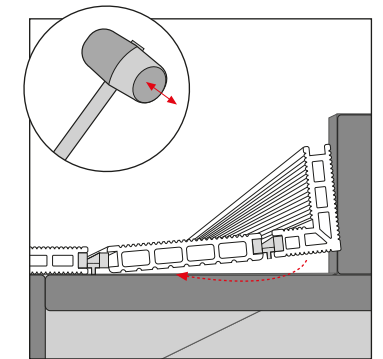
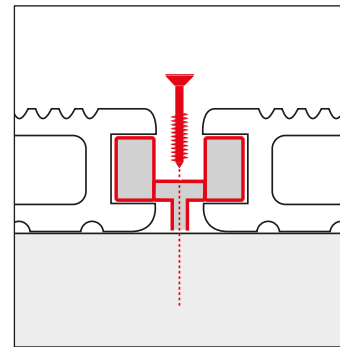
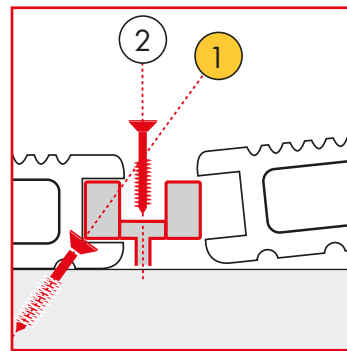
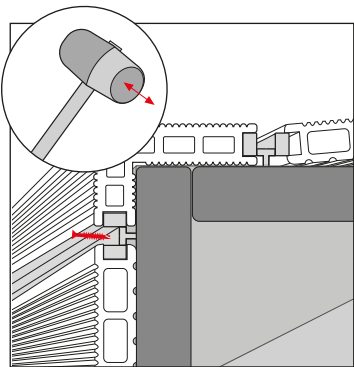
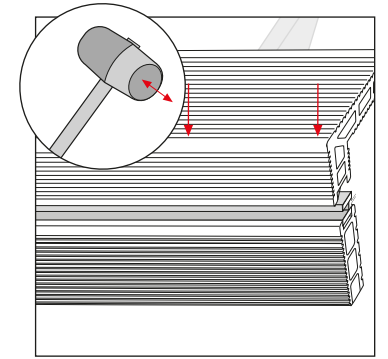
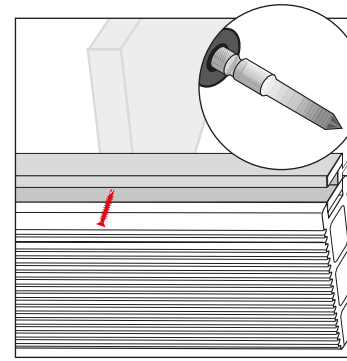
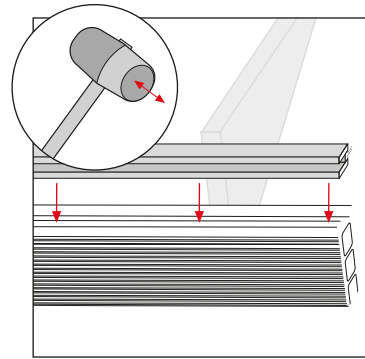
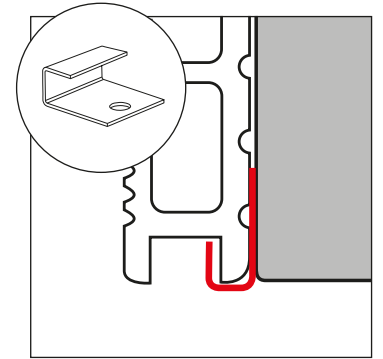
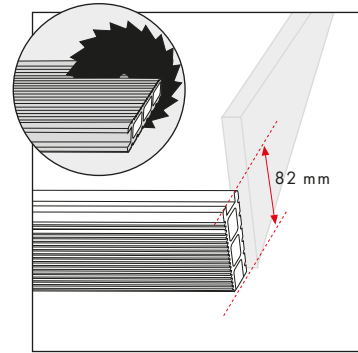
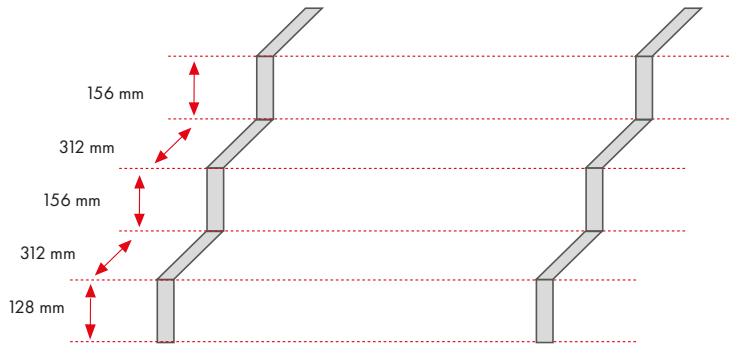
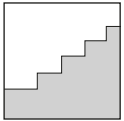
! 1 1x in the middle of each Rail Step



6. Stairs (Deck 150 only)

Part 2

See details in Part 2:
Text 7



! 1x in the middle of each board





www.upmprofi.com

UPM Kymmene Corporation reserves the right to change and amend the information contained in this brochure at any time.
The information contained in this document was correct at time of publication. For the most update version, please visit www.upmprofi.com